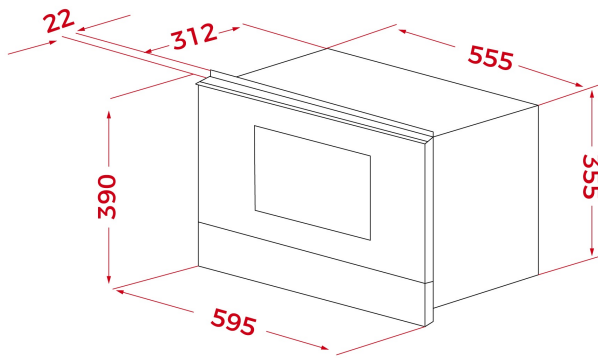


**TEKA****TOTAL MS 622 BI L**

Built-in Mechanical Microwave with ceramic base

Ceramic  
baseDefrost By  
Time

22L



## REFERENCE

REF: 40584102

EAN: 8421152145548

## FEATURES

Built-in Microwave  
Ceramic base with uniform heating  
1 cooking function  
5 power levels, 1400 W  
Defrost by time  
Mechanical control knobs  
Double glazed door with right opening  
Automatic disconnection when open door  
Incandescent inner light  
Capacity (gross/net): 22 / 21.56 litres  
Stainless steel cavity  
Tangential ventilation

## DIMENSIONS

**Product height (mm):** 390**Product width (mm):** 595**Product depth (mm):** 334**Product length (mm):****Net weight (Kg):** 22

## TECH SPECS

MWO Power (W): 850

Frequency (Hz): 50

Maximum Nominal Power (W): 1500

Grill (W): -

## COLOURS



40584102

Stainless Steel