



Ceramic base



Defrost By Time



Defrost By Weight



Direct Access Menu



Electronic Door Opening



22L

REFERENCE

REF: 40584300

EAN: 8421152145494

FEATURES

Built-in Microwave + Grill
 Ceramic base with uniform heating
 3 cooking functions
 9 direct access menus
 5 power levels, 2500 W
 Grill power: 1200 W
 Defrost by time and weight
 Touch control display with knobs
 Double glazed door with right opening
 Electronic door opening
 Children safety lock
 Automatic disconnection when open door
 Incandescent inner light
 Dropdown grill
 Quick start
 Capacity (gross/net): 22 / 21.56 litres
 Stainless steel cavity
 Tangential ventilation

DIMENSIONS

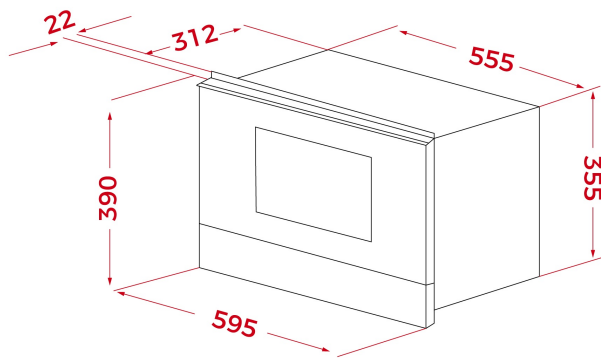
Product height (mm): 390

Product width (mm): 595

Product depth (mm): 334

Product length (mm):

Net weight (Kg): 23,2



TECH SPECS

MWO Power (W): 850

Frequency (Hz): 50

Maximum Nominal Power (W): 2700

Grill (W): 1200

COLOURS



40584300 Black Glass with StainlessSteel frame



40584301 White Glass with StainlessSteel frame



40584301 Black Glass with StainlessSteel frame