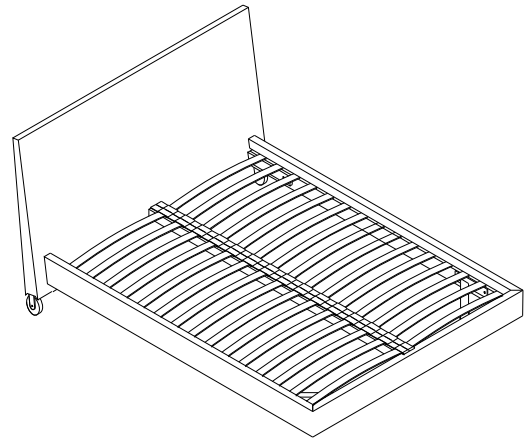
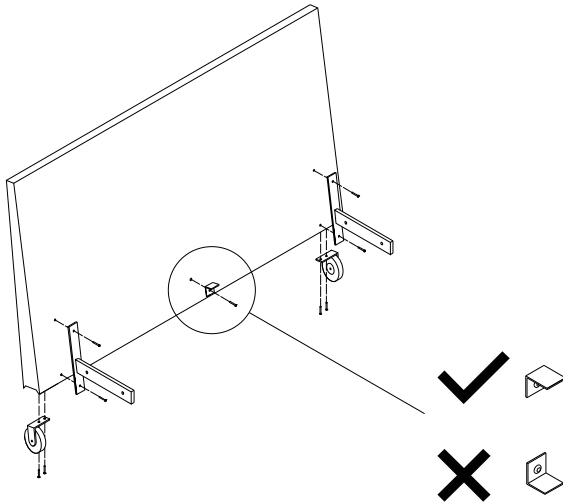


# Onto

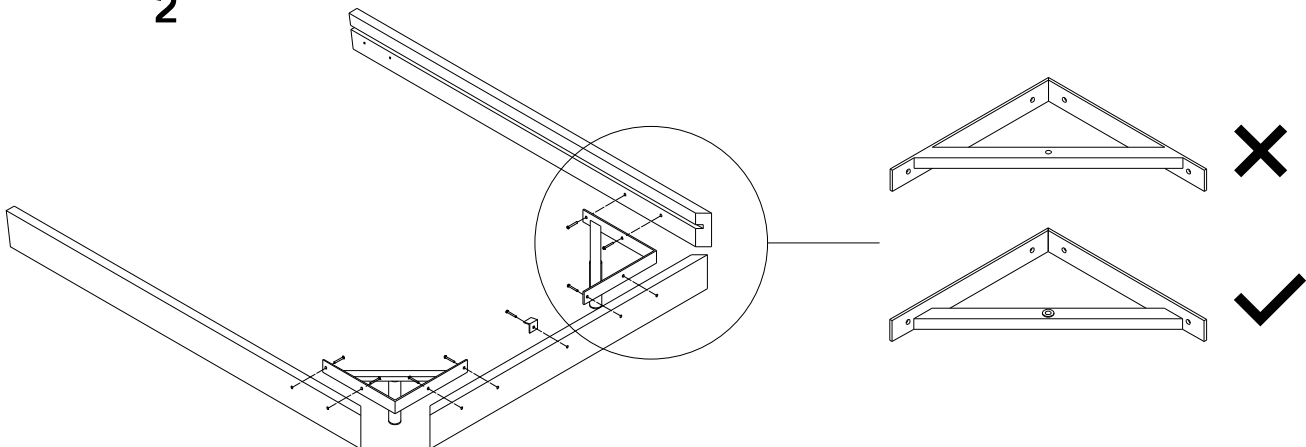


1

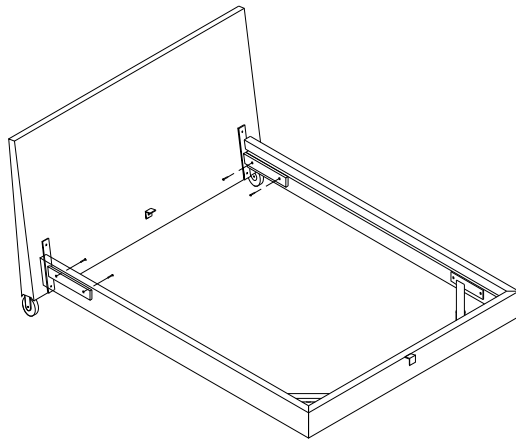


⚠ DO NOT FULLY TIGHTEN BOLTS UNTIL COMPLETION OF ASSEMBLY.

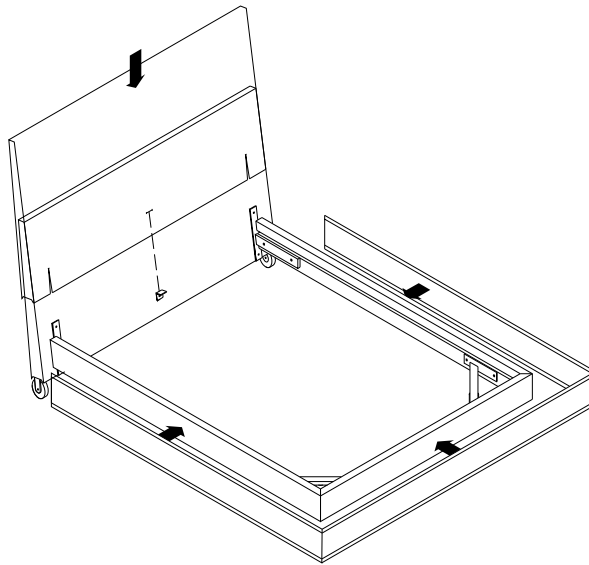
2



3



4



5

