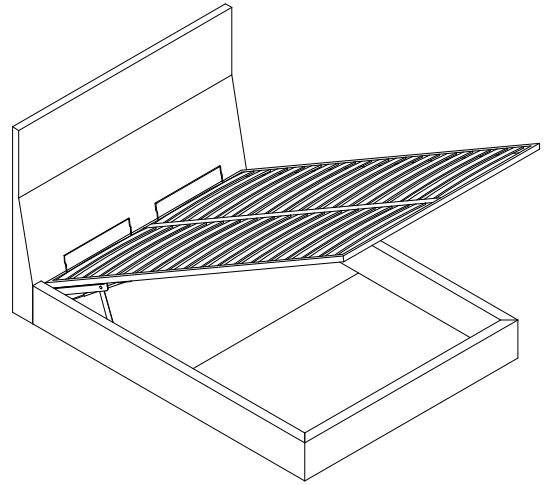
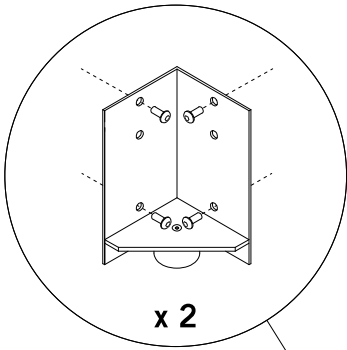


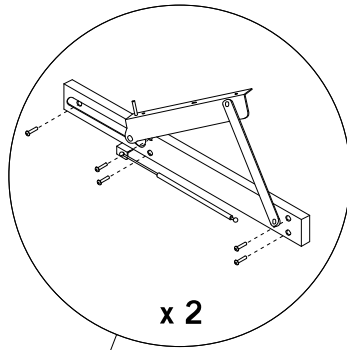
Everest



1

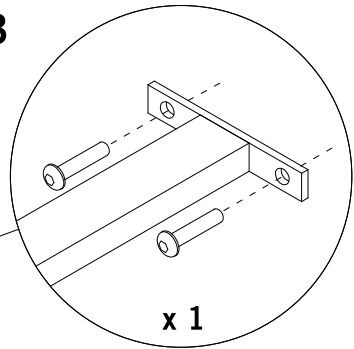


2

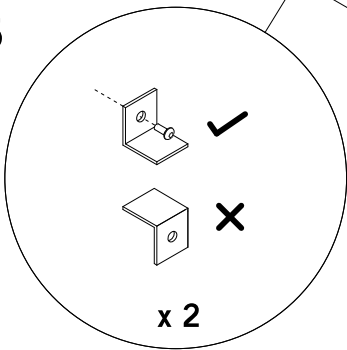


⚠ For detailed assembly steps refer to Lift-up mechanism instructions.

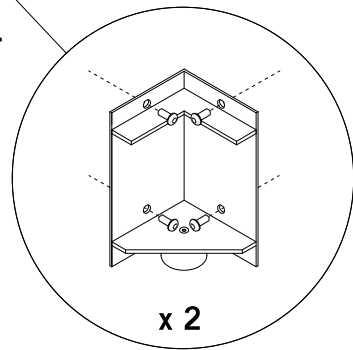
3



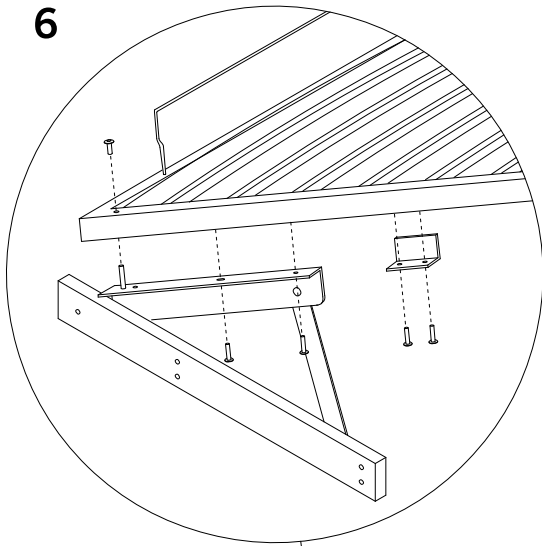
5



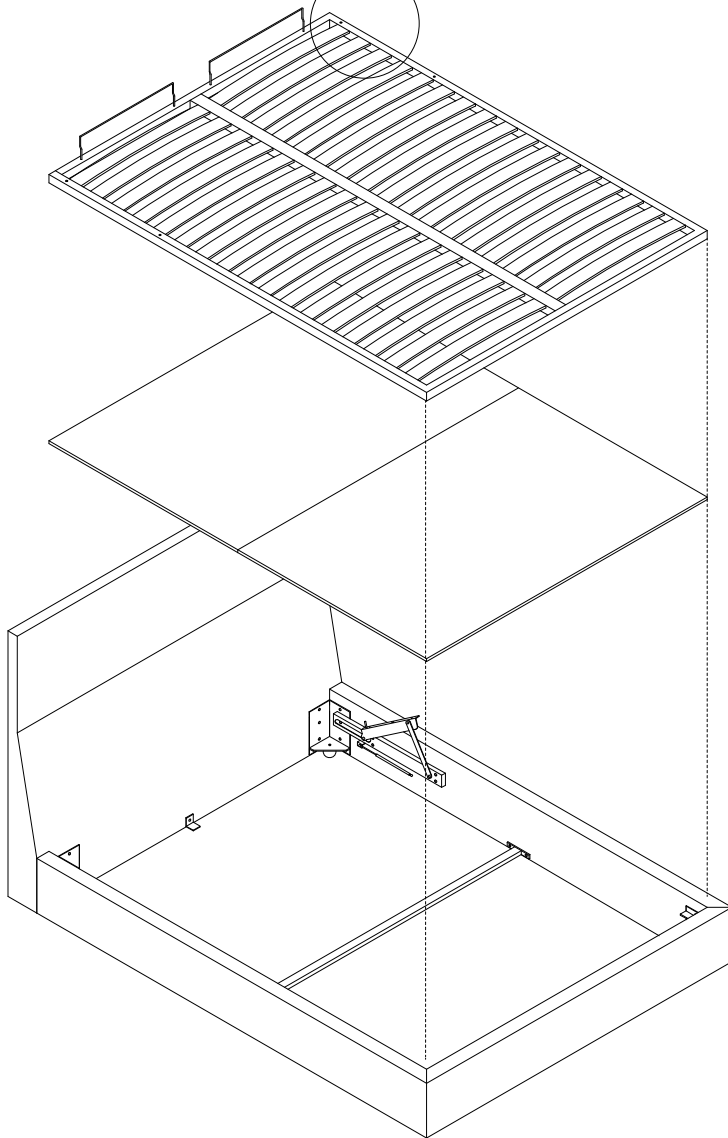
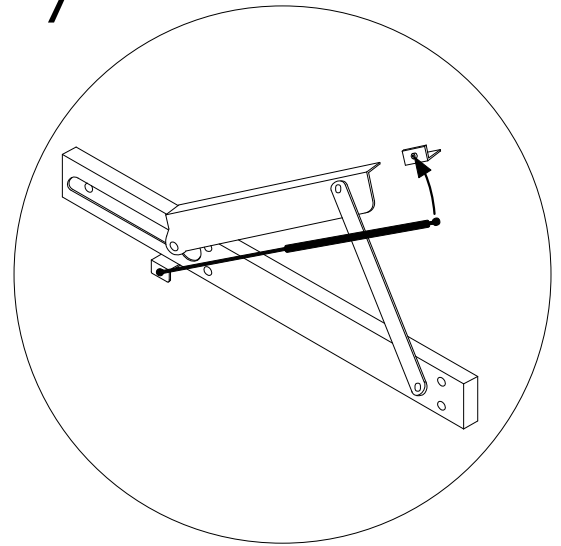
4



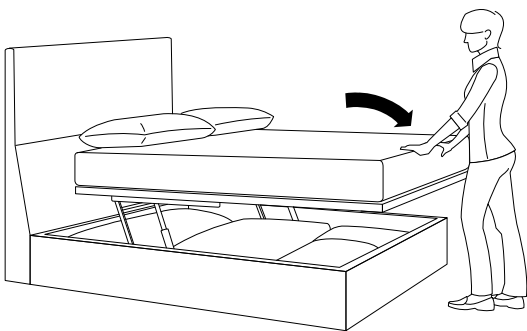
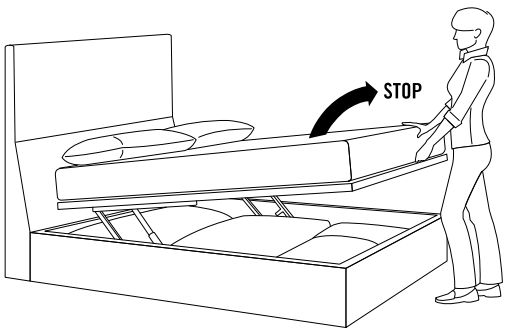
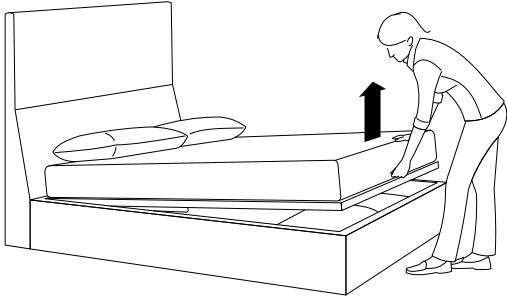
6



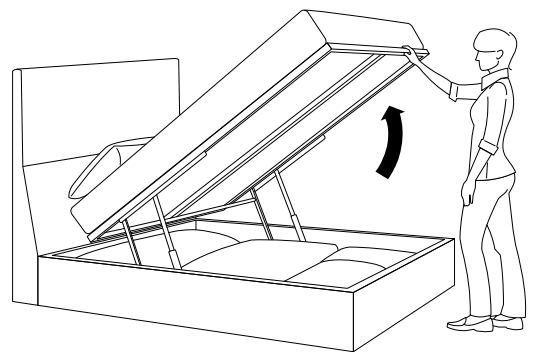
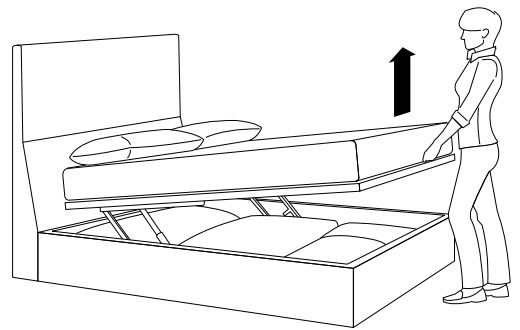
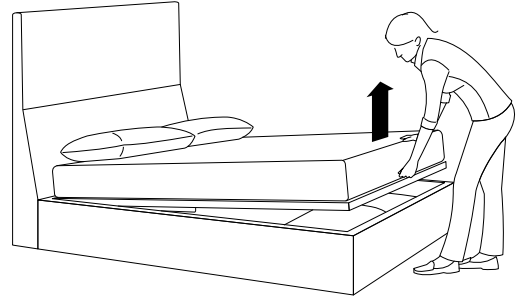
7



Making the bed

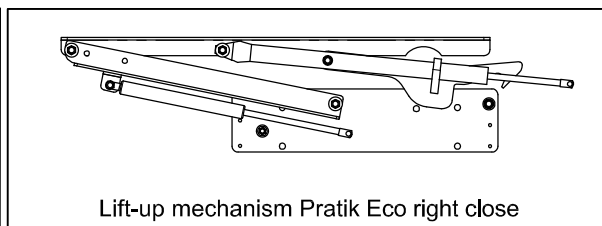
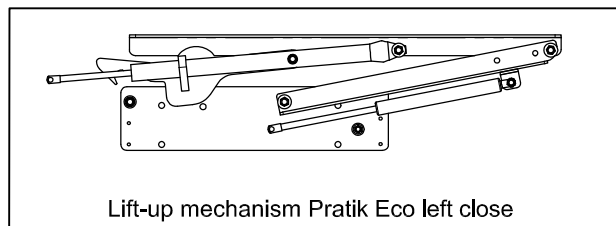
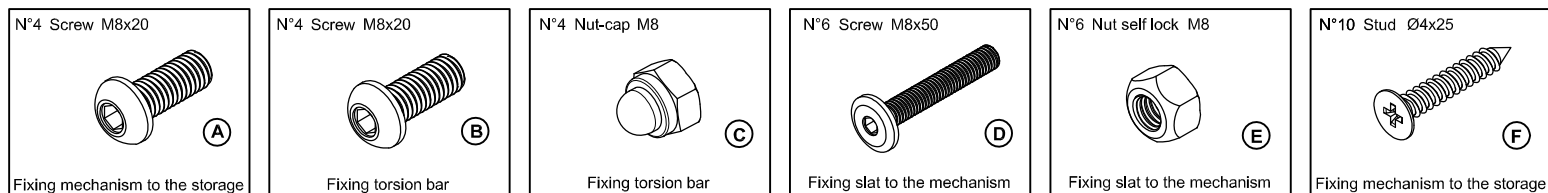


Storage access



Lift-up mechanism

Supplied inside the box:



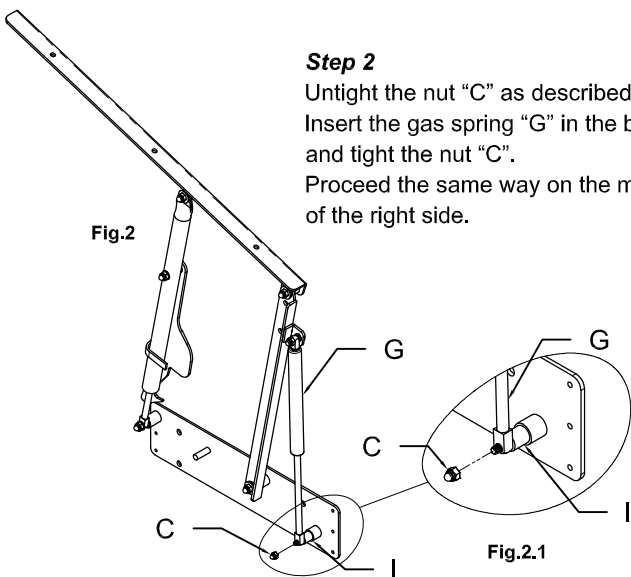
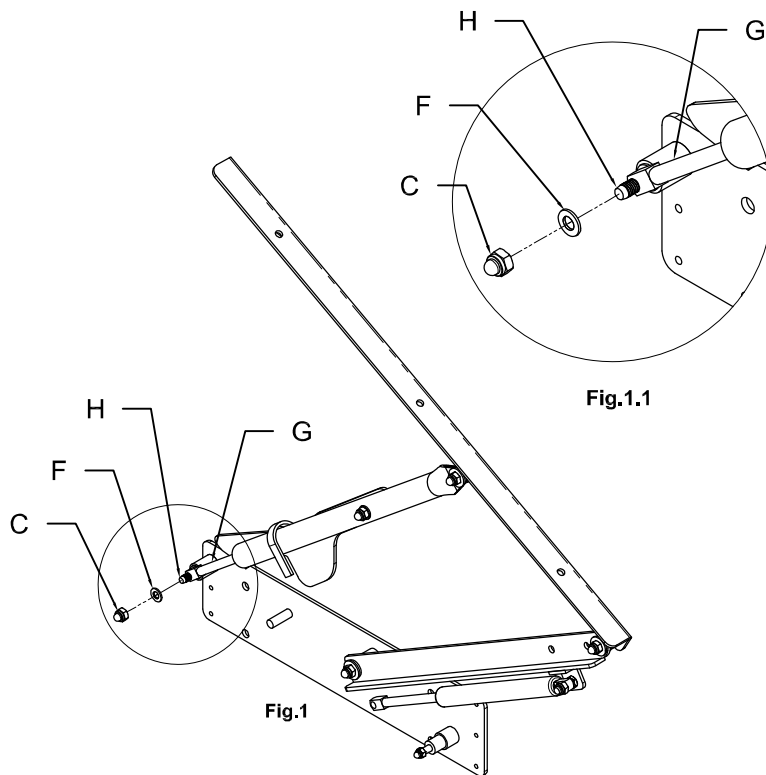
NOTICE Assembly has to be made by qualified staff, according to the provided instructions. WE RECOMMEND TO AVOID USING THE PRODUCT IN UNSUITABLE WAY.

Materials and manufacturing process (determinant for quality and features of the product), together with instructions for use and maintenance are indicated in the product sheet provided to our dealers.

Description of pre-assembling operations for Pratik Eco mechanism:

Step 1

Open the mechanism as described in picture 1.
 Untight the nut "C", extract the washer in metal "F" and Insert the gas spring "G" in the bracket "H".
 insert the metal washer "F" that you extracted before, and tight the nut "C".
 Proceed the same way on the mechanism of the right side.

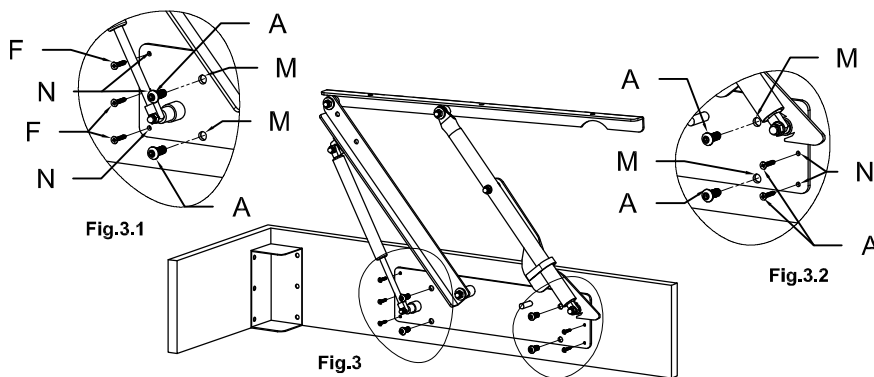


Step 2

Untight the nut "C" as described in picture 2.
 Insert the gas spring "G" in the bracket "I" and tight the nut "C".
 Proceed the same way on the mechanism of the right side.

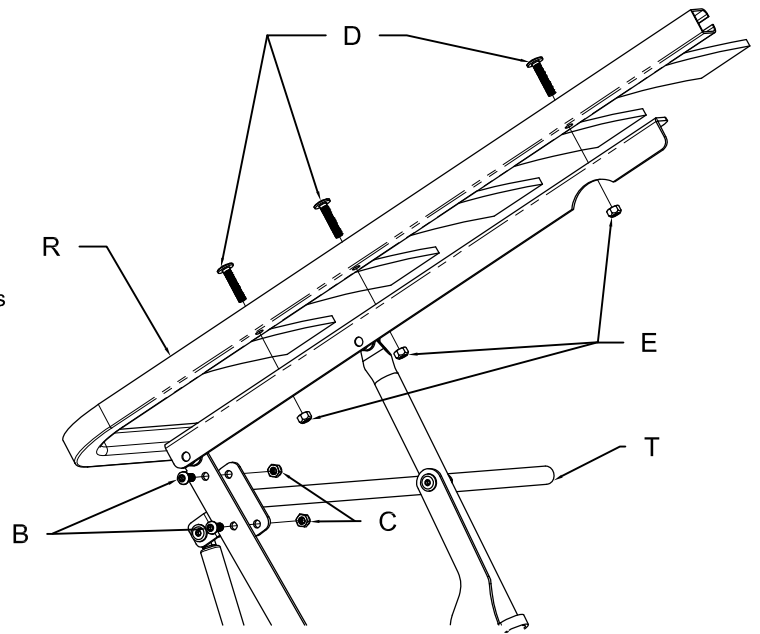
Step 3

Fix the mechanism to the storage as in picture 3 with the specific screws "A" "F" in holes "M" "N" as in picture 3.1 - 3.2.
 Proceed the same way on the mechanism of the right side.



Step 4

When the 2 mechanisms are fixed, joint them with a torsion bar "T" (pict. 4), inserting the screw "B" from the external side and, in the inside, with nuts "C". Place the slat "R" on top of the mechanism and block it with screws "D" (from the top) and nuts "E".



IMPORTANT

The mechanism works correctly only if it's fixed tightly on the bedspring with the proper screws and completed by the mattress.

ATTENTION

- 1 - Open periodically to avoid blockage of the gas springs;
- 2 - Check fastening of all bolts before using it;
- 3 - When cleaning avoid use of abrasive substances, solvents, soaps or water.
 - Moisten periodically all the knobs and check fastening of nuts and bolts.
 - Do not try to force gas springs with your hand as they are loaded for a power of 100 kg.
 - At the first opening the internal gears on the gas spring may cause a temporary stiffening, because of their long "un-employment".
- 4 - For the correct lifting operation it is recommended that weight of mattress and bedding remain within 45Kg.

DEPLOYMENT:

Deploy in stocks of hazmats or special containers.

IN CASE OF BLOCKAGE:

- 1 - Take off the mattress.
- 2 - Take off the gas springs.
- 3 - Open several times without springs to control the correct working of the mechanism.
- 4 - Fix again one gas spring and open several times then fix the other gas spring and repeat opening.

FOR SAFETY:

1. Avoid shocks or scratching on the piston of the spring.