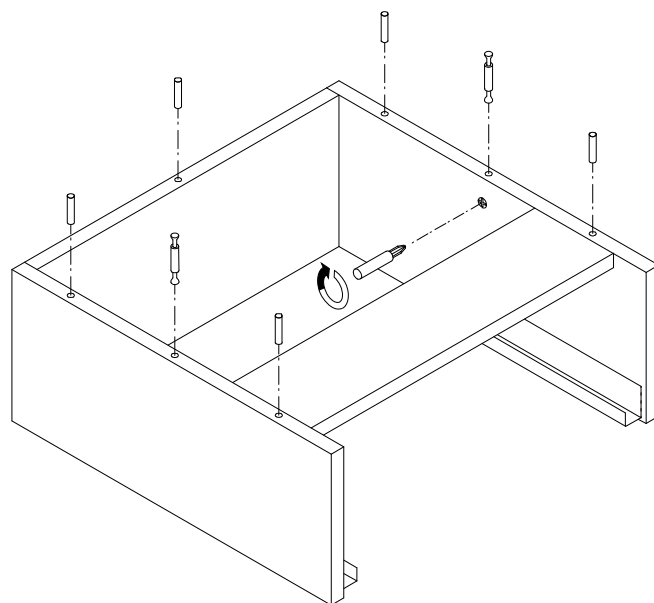
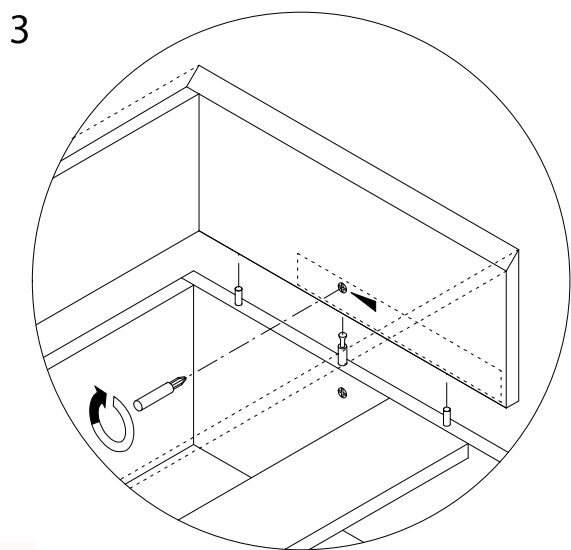
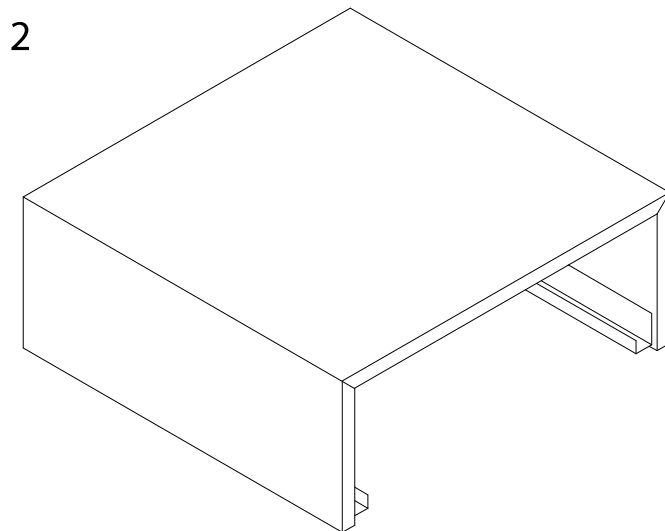
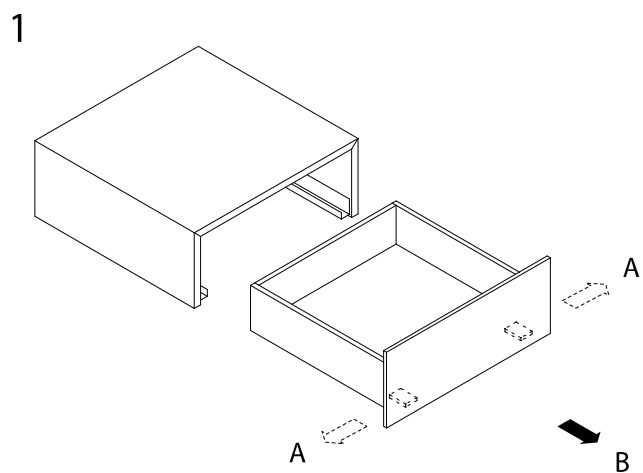
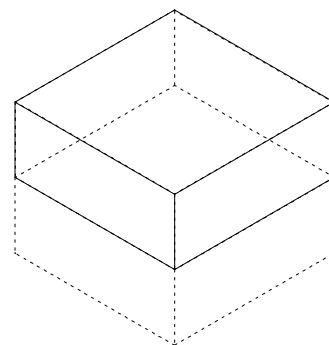


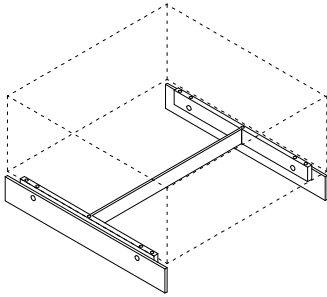
Brix

Assembling Components

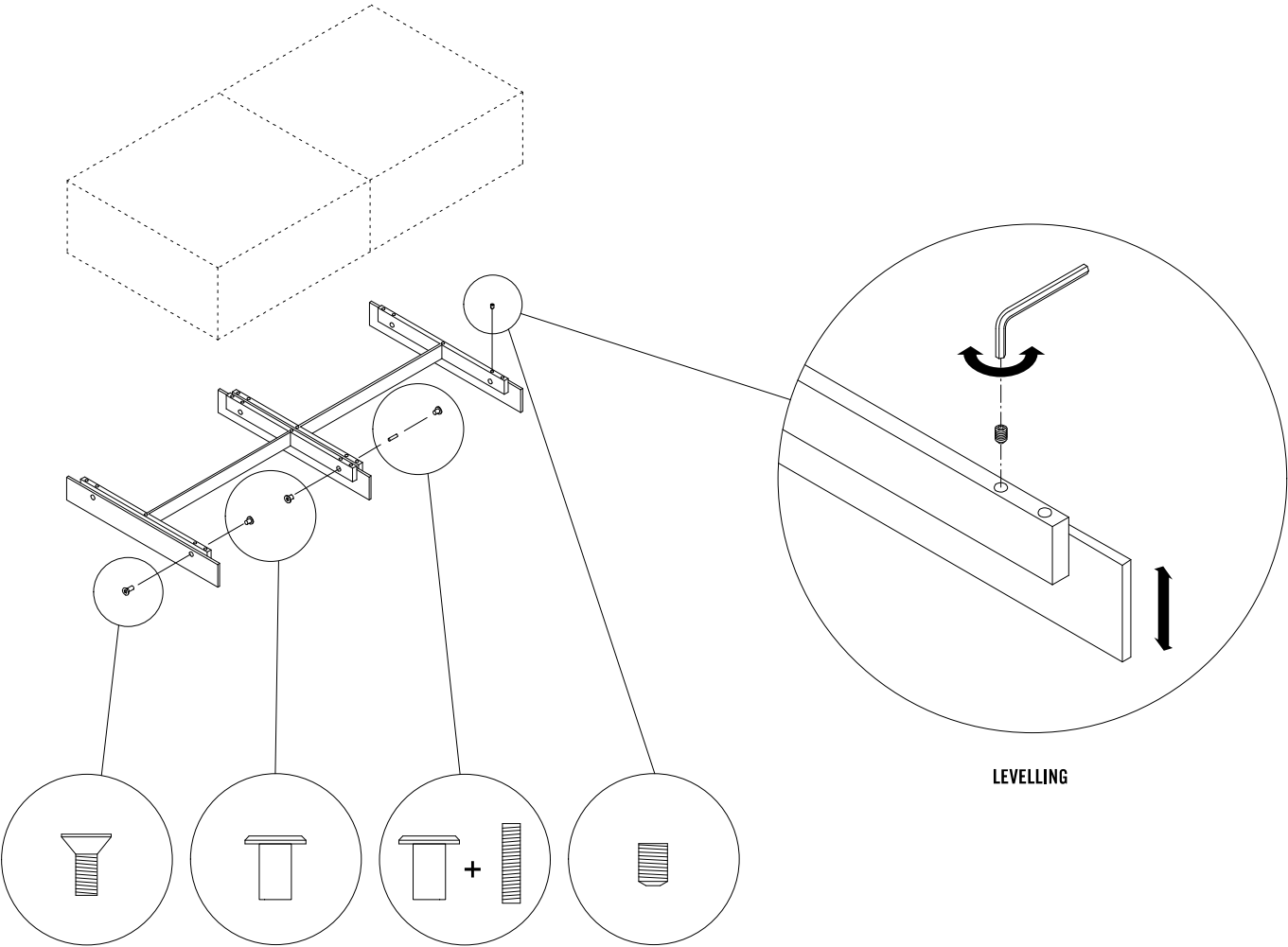


Brix

Metal Base

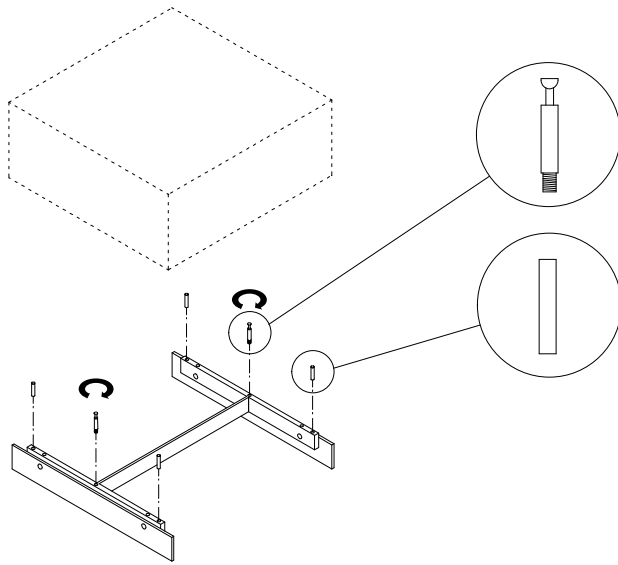


1

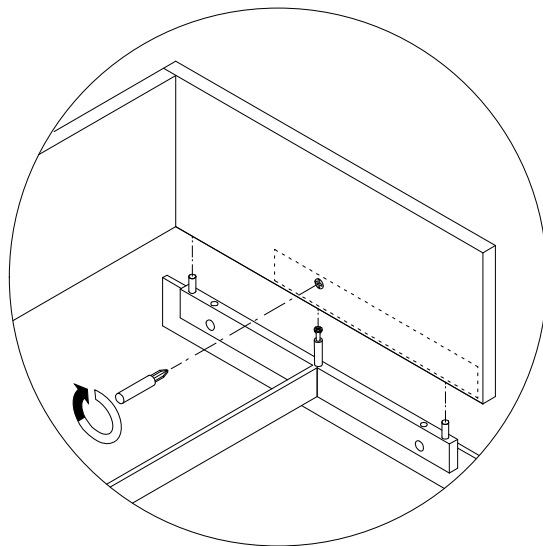


 TIGHTEN BOLTS AFTER LEVELLING

2

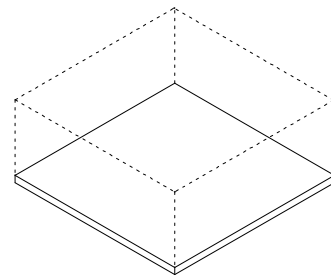


3

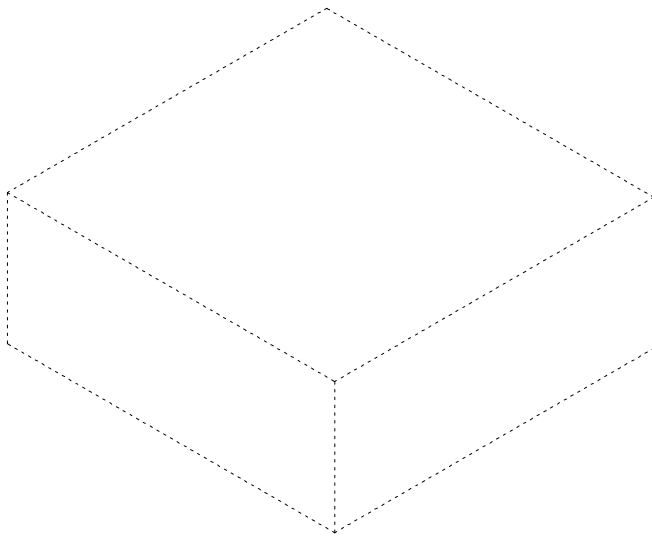


Brix

Panel Base



1



2

